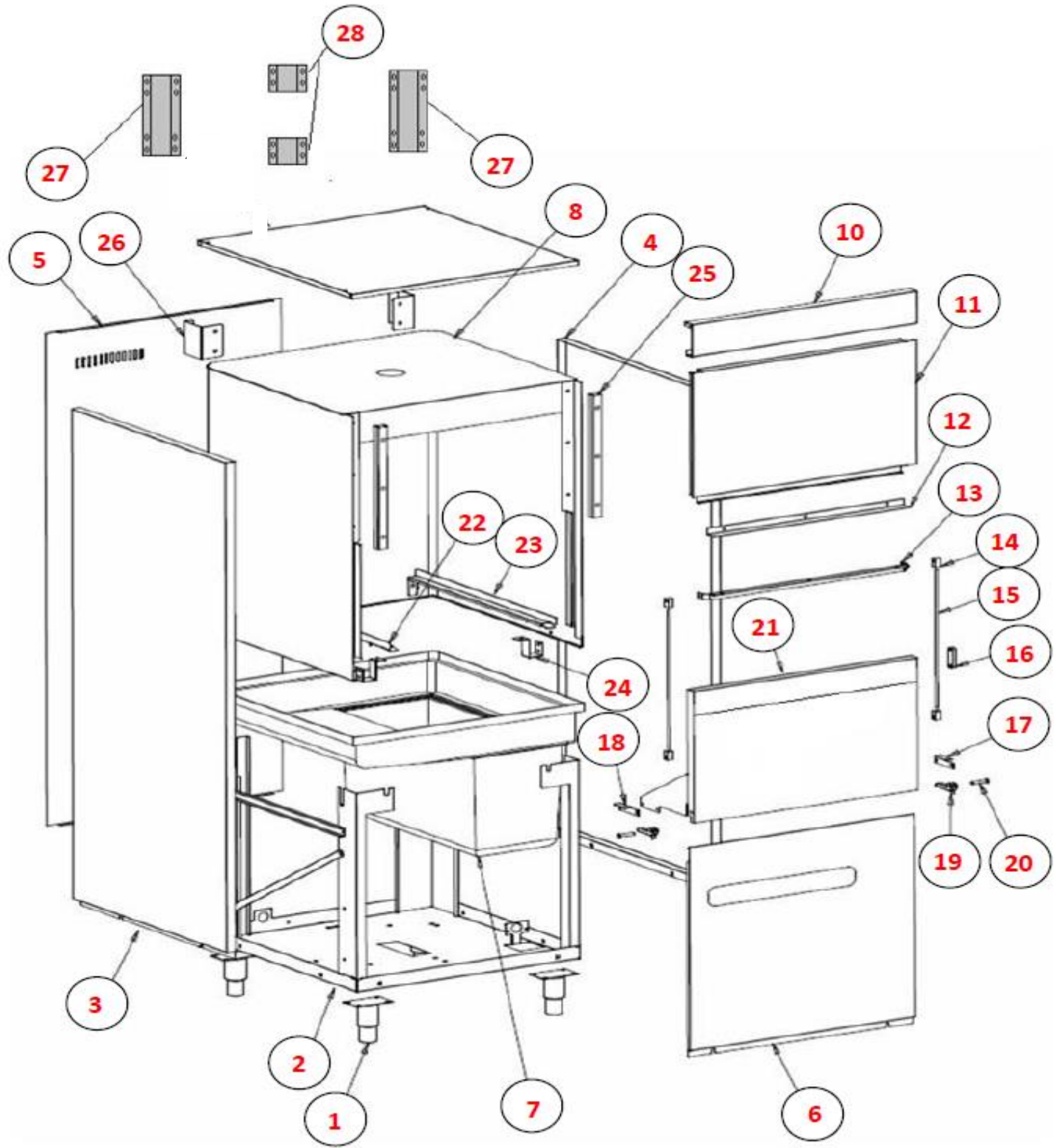


# GHP1300SW

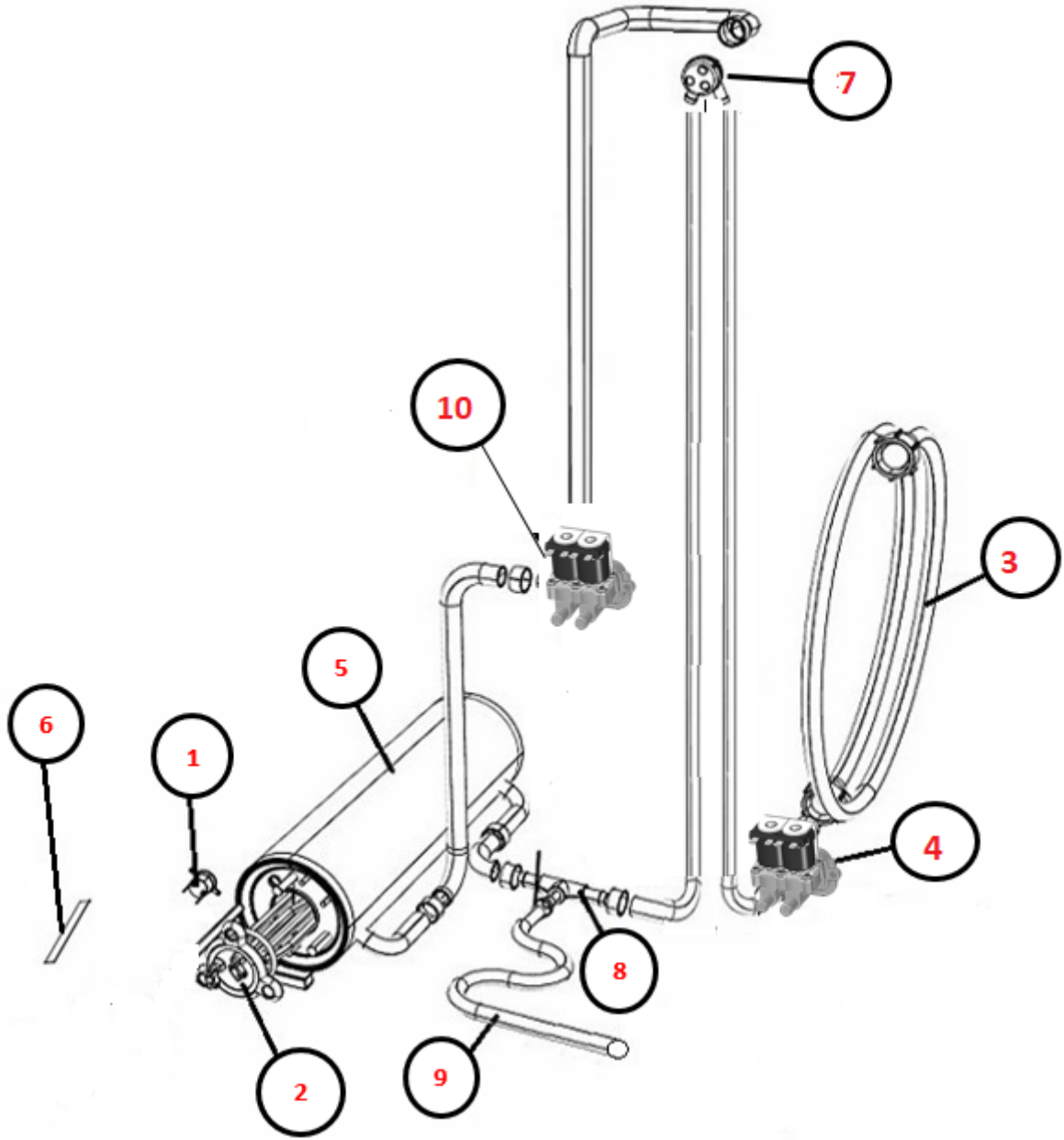
POS	CODE	DESCRIPTION	DESCRIPTION	QTA
1	P1	PANNELLERIA	FRAME	1
2	P2	RISCIACQUO	RINSE	1
3	P3	LAVAGGIO	WASH	1
4	P4	GIRANTI	ARMS	1
5	P5	CABLAGGIO	WIRING	1
6	P6	DOSATORE	CHEMICAL PUMP	1



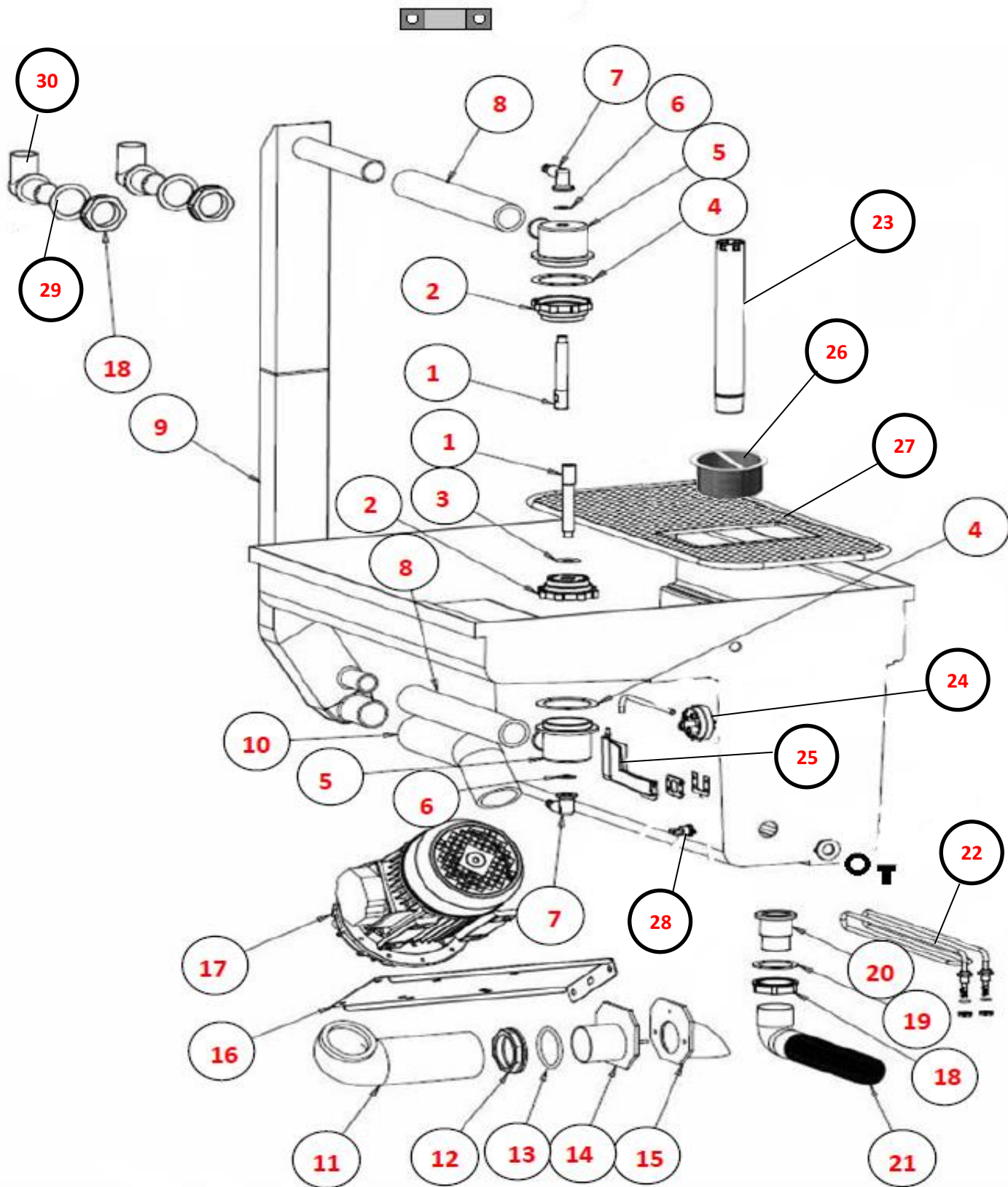
POS	CODE	DESCRIZIONE	DESCRIPTION	NR
1	TR0861	PIEDE 1"1/2"	LEG 1"1/2"	4
2	902157	BASAMENTO N800/LP57 MONOP. CON TRAVERSE □	BASEMENT N800/LP57 MONOBLOCK WITH STRUCTS	1
3	TR3774	PANN. LAT. LP57A SX 2011	LH SIDE PANEL LP57A 2011	1
4	TR3773	PANN. LAT. LP57A DX 2011	RH SIDE PANEL LP57A 2011	1
5	TR3718	PANN. POST. LP57A	BACK PANEL LP57A	1
6	TR3713	PANN. FRONT. COM LP57A □	COMPLETE FRONT PANEL LP57A □	1
7	900077	VASCA N1300 STAMPATA 2014	MOULDED TANK N1300 2014	1
8	TR3591	CAPPOTTA LP57A 2011 COMPL.	COMPLETE HOOD LP57A 2011	1
10	TR3775	PANN. FRONT. SUP. LP57A 2011	UPPER FRONT PANEL LP57A 2011	1
11	TR3428	PORTA SUP. LP57A 2011 COMPLETA	COMPLETE UPPER DOOR LP57A 2011	1
12	TR2003	PARASPRUZZI LP57A 2011	SPLASHBACKS LP57A 2011	1
13	TR0924	TRAV. SUPP. PORTA LP57A 2011	DOOR UPPER COVER LP57A 2011	1
14	TR0936	BLOCCHETTO TIRANTE PORTA LP57A 2011	TIE-ROD DOOR BLOCK LP57A	4
15	TR0937	TIRANTE PORTA M6X427MM LP57A 2011	DOOR TIE-ROD M6X427MM LP57A 2011	2
16	903651	MAGNETE + CUSTODIA FRONTALI	FRONTAL MAGNET + CONTAINER	1
17	TR0990	FERMO PORTA DX LP57A 2011	RH DOOR STOP LP57A 2011	1
18	TR0991	FERMO PORTA SX LP57A 2011	LH DOOR STOP LP57A 2011	1
19	901245	CERNIERA PORTA SERIE S-N-E	DOOR HINGE MODEL S-N-E	2
20	904795	PERNO PORTA	DOOR PIVOT	2
21	TR3609	PORTA INF. LP57A 2011 CON M.A.	LOWER DOOR LP57A WITH ALUMINIUM HANDLE 2011	1
22	TR2072	GUIDA ANG. SX PORTACEST. LP57A 2011	ANGULAR BASKET GUIDE LH LP57A 2011	1
23	TR2073	GUIDA ANG. DX PORTACEST. LP57A 2011	ANGULAR BASKET GUIDE RH LP57A 2011	1
24	TR2071	SUPP. GUIDA CESTELLO LP57A 2011	BASKET-GUIDE SUPPORT LP57A 2011	2
25	902994	GUIDA POLIZ. PER PORTA SUP. LP57 2015	POLIZENE GUIDE FOR UPPER DOOR LP57 2015	2
26	TR2097	SQUAD. FISS. PANN. POST. LP57	BACK-PANEL FIXING BRACKET LP57	2
27	955776	STAFFA LAT. DX-SX FISS. LPN57	RIGHT BRACKET PORT SUPPORT LP57H	2
28	955777	STAFFA POST. FISS. CAPPOTTA LP57	BACK HOOD-FIXING BRACKET LP57	2



Z NE	DESCRIPTION	NR
1 907297 TERMOSTATO SICUR. 110° PASTIGLIA	SAFETY THERMOSTAT 110° PADDLE	1
2 905570 RESIST. BOILER 6 KW + O R.	BOILER HEATING ELEMENT + O R.	1
3 907347 TUBO CARICO 90° 2000MM S 800 HW	WATER LOAD HOSE 90° 2000MM S 800 HW	1
4 902390 ELETTR. 1 VIA Ø10	1-WAY SOLENOID VALVE Ø10	1
5 900378 BOILER N45-N50-N1000-N1300 -N3 7LT + RES. 6KW	BOILER N45-N50-N1000-N1300 -N3 7LT + H.E. 6KW	1
6 904975 LAMELLA OTTONE	BRASS PLATE	1
7 905276 PRESSOSTATO 30/160 N1300/LP/LPN	PRESSURE SWITCH 30/160 N1300/LP/LPN	1
8 905434 RACCORDO 3 VIE DOSATORE SU POMPA	3 WAY CONNECTION DOSING PUMP	1
9 907279 TUBO SILICONE 4X7	SILICONE HOSE 4X7	1
10 908032 ELETTR. 2 VIE RISC. SEQUENZIALE APERTA	2-WAY OPEN SOLENOID VALVE FOR SEQ. RINSE	1

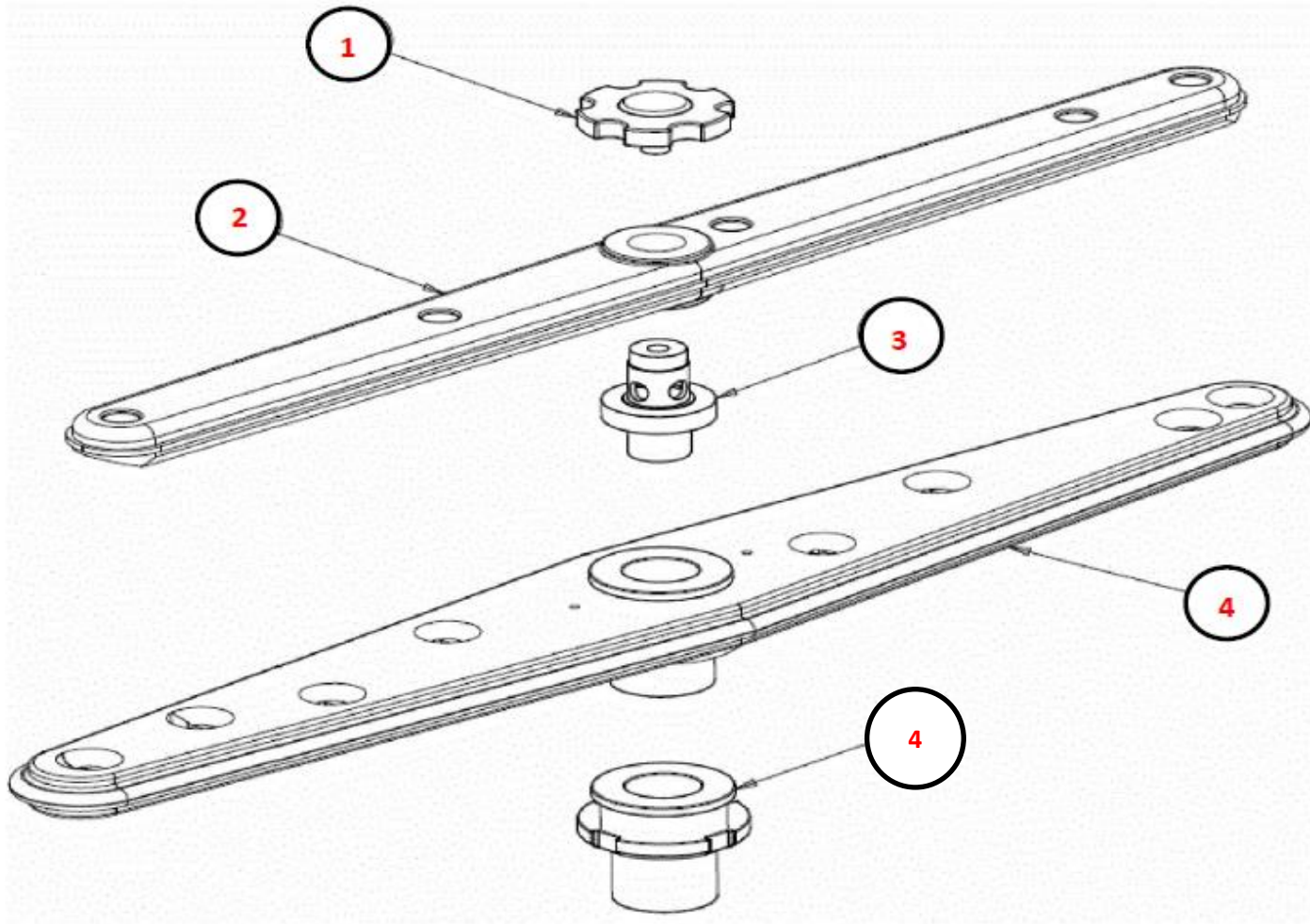


POS	CODE	DESCRIZIONE	DESCRIPTION	NR
1	904753	PERNO LAV. INF. N1300	LOWER-WASH-ARM PIVOT N1300	2
2	900050	GHIERA MOPLEN MOZZO INFERIORE LAV. N1300	MOPLEN FERRULE, LOWER WASH HUB N1300	2
3	906001	RONDELLA RIDUZ. 42X17X1 N1300	WASHER RIDUCTION 42X17X1 N1300	1
4	TR2448	GUARN. 2" N1300-LP-T-N SP.2MM	GASKET 2" N1300-LP-RACK/FLIGHT CONVEYOR 2MM	2
5	900049	MOZZO INF. LAV. N1300_N1300S	LOWER WASH HUB N1300_N1300S	2
6	903351	GUARN. FIBRA RACC. RISC. SUP.	FIBRE GASKET UPPER RINSE JUNCTION	2
7	908101	RACC. GOMITO 1/4" + RACC. D.12	ELBOW CONNECTION 1/4" + CONNECTION D.12	2
8	908712	MANICOTTO MANDATA INF. N1000/N1300	INLET SLEEVE LOWER N1000/N1300	2
9	908748	COLONNA LAV. LP57ALTA PPH	WASH COLUMN LP57 H PPH	1
10	903701	MANICOTTO ASP. E1000/N1000/N1300/TRAINO	ASPIRATION SLEEVE E1000/N1000/N1300/RACK CONVEYOR	1
11	908713	MANICOTTO MANDATA N1300 V.T./LP57	INLET SLEEVE N1300/LP57 (OLD TYPE)	1
12	902112	GHIERA 2"	FERRULE 2"	1
13	TR0115	OR RES. FLANG. 9/10/12/14 KW	OR FLANGE HEATING ELEMENT 9/10/12/14 KW	1
14	TR0098	RACC. ASPIR. TRAINO - NASTRO - LP	ASPIRATION CONNECTION FLIGHT/RACK CONVEYOR LP	1
15	TR0977	RACC. ASPIR. 90° INT. VASCA	RIGHT-ANGLE CONNECTION INSIEDE ASPIRATION TANK	1
16	908574	SUPP. POMPA LP57	PUMP SUPPORT LP57	1
17	TR1582	POMPA 1.35KW 400/3/50 PRELAV. T DX	PUMP 1.35 KW 400/3/50 PREWASH T DX	1
18	902082	GHIERA 1"1/4 ASPIR./SCAR. RIBASSATA	FERRULE 1"1/4 ASPIRATION/DRAIN REDUCED	2
19	904380	OR 1"1/4 RACC. ASPIR./SCAR.	OR 1"1/4 ASPIRATION/DRAIN JUNCTION	1
20	905450	RACC. SC. 1" 1/4	CONNECTION SC. 1" 1/4	1
21	907447	TUBO SCARICO Ø24 2000MM	DRAIN HOSE Ø24 2000MM	1
22	905748	RESIST. VASCA 3KW 230V	TANK HEATING ELEMENT 3KW 230V	1
23	TR1932	TROPPO PIENO 330mm PRELAV.T-N PPL	OVERFLOW CAP 330mm PREWASH T-N PPL	1
24	905276	PRESSOSTATO 30/160 N1300/LP/LPN	PRESSURE SWITCH 30/160 N1300/LP/LPN	1
25	907254	TRAPPOLA ARIA N45-N50-N90-N1000-N1300	AIR TRAP N45-N50-N90-N1000-N1300	1
26	904898	FILTRO SENZA CILINDRO INOX Ø98MM	FILTER WITHOUT STAINLESS-STEEL BARREL Ø98MM	1
27	906703	FILTRO SUPERF. N1000/N1300/LPN67	SURFACE FILTER N1000/N1300/LPN67	1
28	907243	TERMOSTATO SICUR. 95° PASTIGLIA	SAFETY THERMOSTAT 95° PADDLE	1
29	903325	GUARN. RACC. BREAK TANK	JUNCTION GASKET BREAK TANK	2
30	905410	RACC. SCAR. 90° 6-7-8-850 V.T-N.T.	DRAIN CONNECTION 90° 6-7-8-850 OLD TYPE - RACK/FLIGHT CONVEYOR	2

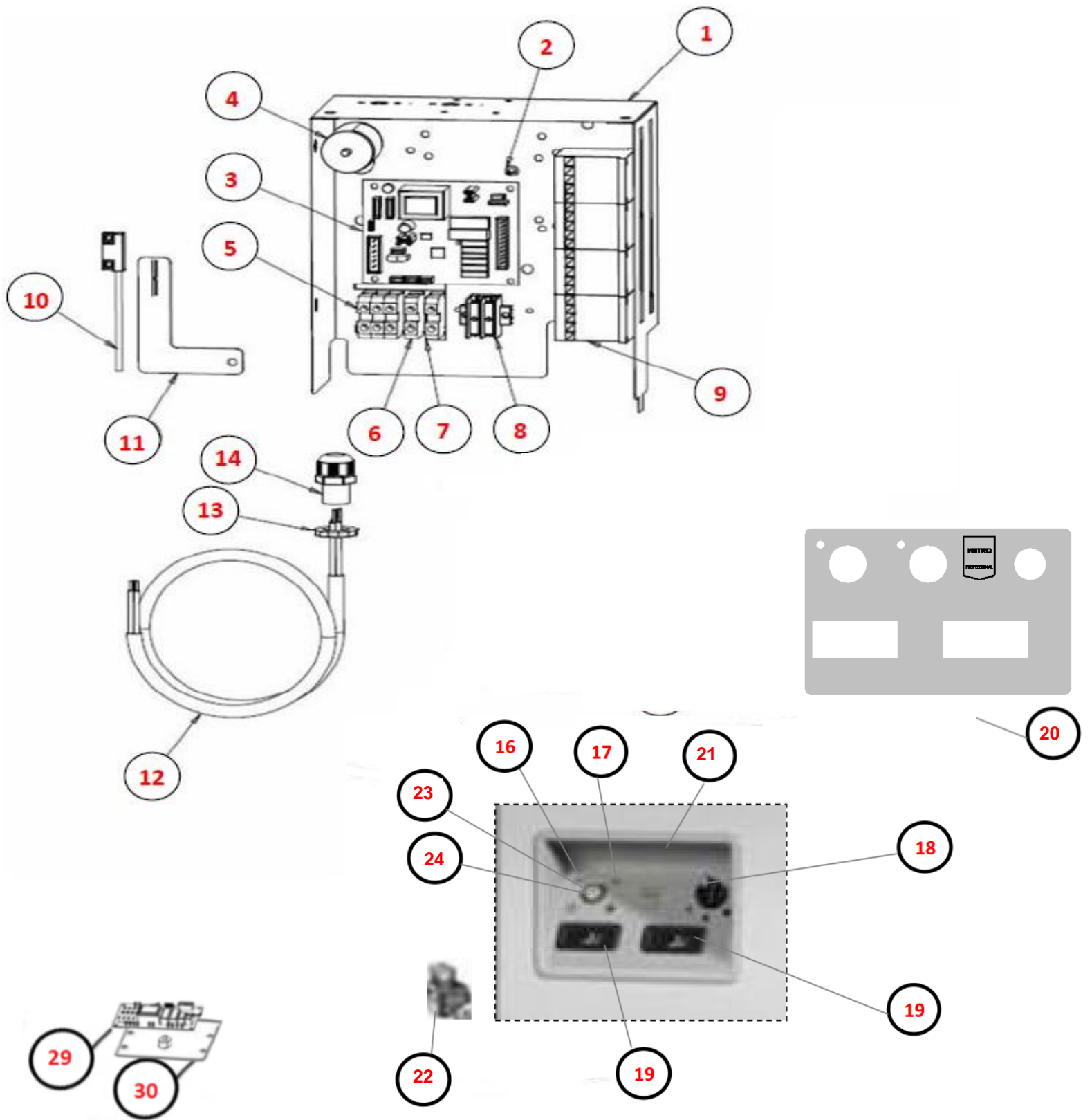


POS	CODE	DESCRIZIONE	DESCRIPTION	NR
1	902880	GHIERA FERMO GIRANTI	STOP FERRULE, ARMS	2
2	907958	GIRANTE RISC. 4 PPL	RINSE ARM 4 PPL	2
3	908771	PERNO GIRANTE RISC. PIATTA PPL E INOX	PIVOT FLAT RINSE ARM (POLYPROPYLENE AND STAINLESS STEEL)	2
4	903045	GIRANTE LAV. N1300 FORO SPINTA POST + MOZZO	WASH ARM N1300 WITH HOLE REAR + HUB	2





POS	CODE	DESCRIZIONE	DESCRIPTION	NR
1	901446	CASSETTA ELETTRICA CAPOT UNIFICATA	UNIFIED ELECTRIC BOX HOOD TYPE	1
2	902193	DISTANZIALE TIMER ELETTRONICO	ELECTRONIC TIMER SPACER	1
3	907169/ELCA	SCHEDA TRONIC CLONE ELCA	ELECTRINOC BOARD ELCA	1
4	902107	FILTRO ANTIDISTURBO TRIFASE	THREE-PHASED ANTINOISE FILTER	1
5	TR3178	MORSETTO 3P 16MM PASSANTE UNIVERSALE	CLAMP 3P 16MM UNIVERSAL THROUGH	1
6	904166	MORSETTO 1P 16MM	CLAMP 1P 16MM	1
7	904163	MORSETTO 1P 16MM TERRA	CLAMP 1P 16MM EARTH	1
8	904164	MORSETTO TRIPOLARE CON SPALLA	3-POLE CLAMP WITH BRACKET	1
9	907190	TELERUTTORE 9A 230V CON ATTUAT. LOVATO	CONTACTOR 9A WITH ACTUATOR LOVATO	1
10	909105	REED MAGNETICO N1000-N1300-LP57	MAGNETIC REED N1000-N1300-LP57	1
11	908504	SQUAD. REED N1000-N1300	BRACKET REED N1000-N1300	1
12	906788	CAVO ALIMENTAZ. 5X2.5X3500 H07	POWER-SOURCE CABLE 5X2.5X3500 H07	1
13	TR0138	GHIERA PRESSACAVO PG21	FERRULE CAGLE GLAND PG21	1
14	TR0136	PRESSACAVO PG21	CABLE GLAD PG21	1
16	903711	LAMP. SPIA Ø6 VERDE	GREEN WARNING LIGHT Ø6	1
17	903710	LAMP. SPIA Ø6 ARANCIO	ORANGE WARNING LIGHT Ø6	1
18	909427	SEL. LUM. LEVA BIANCO 3 POS	WHITE-LIGHT LEVER SELECTOR 3 POS	1
19	90709	TERMOMETRO	THERMOMETER	2
20	903127	TARGA LP57 METRO PROFESSIONAL	LP57 METRO PROFESSIONAL PLATE	1
21	906852	RETROT. N1000-N1300 PPL 2012	BACKPLATE N1000-N1300 PP 2012	1
22	905314	INTERRUTTORE/DEVIATORE 6 FASTON INCLIN.	SWITCH/DIVERTER 6 INCLINED FASTONS	1
23	905345	SUPP. PULS. TONDO Ø25 NERO	ROUND-BUTTON SUPPORT Ø25 BLACK	2
24	905437	TASTO TONDO Ø25 ARGENTO OPACO	ROUND BUTTON Ø25 MATT GRAY	2
29	907460	SCHEDA RISCIAQUO SEQUENZIALE	ELECTRONIC BOARD SEQUENTIAL RINSE	1
30	903627	ISOLATORE SCHEDE RISCIAQUO SEQUENZIALE	ISOLATOR SEQUENTIAL RINSE ELETRONIC BOARD	1



POS	CODE	DESCRIZIONE	DESCRIPTION	NR
1	907456	PESO INOX 190 MM TUBETTO DET./BRILL.	INOX WEIGHT RINSE PRODUCT/ETERGENT HOSE	2
2	907278	TUBO CRYSTAL ROSSO 4X7	TRASPARENT-RED HOSE 4X7	2
3	902046	TUBO CRYSTAL TRASP. 4X7	TRASPARENT HOSE 4X7	1
4	907279	TUBO SILICONE 4X7	SILICONE HOSE 4X7	1
5	902062	DOSATORE DETERS. PERIST. SEKO TEMPORIZZATO	PERISTALTIC DETERGENT PUMP - TIMED	1
6	902052	DOSATORE BRILL. PERIST. SEKO	PERISTALITIC RINSE PRODUCT PUMP	1
7	952820	SUPP. DOS. PERISTALTICO DOPPIO	DOUBLE PERISTALTIC DOSING PUMP SUPPORT	1
8	906708	RACC. INOX ENTR. DETERSIVO VASCA ANT.	STAINLESS-STEEL FRONT INLET CONNECTION FOR DETERGENT IN TANK	1
9	903253	GUARN. RACC. DOS/SFIATO PS	GASKET DOSING UNIT/AIR VENT JUNCTION	1
10	906010	RONDELLA Ø5 P.	WASHER Ø5 P.	1
11	902030	DADO ATB 5	NUT ATB 5	1
12	902569	FILTRO DOSATORE	DOSING UNIT FILTER	2

